



# TSMP Series

## Surface Mount Resistors

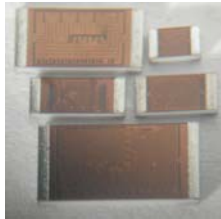
### FEATURES

- TCR ± 0.2 ppm/°C typical
- Load Life Stability: ± 0.1% (2000 hours at rated power and 150°C)
- Power Rating: 200 to 750mW @ +70°C
- PCR (Power Coefficient of Resistance): 5 ppm @ rated power
- Resistance Range: 10Ω to 150KΩ
- Tolerance: to ± 0.01% to 1.0%
- Operating Temperature -55 °C to 175 °C.

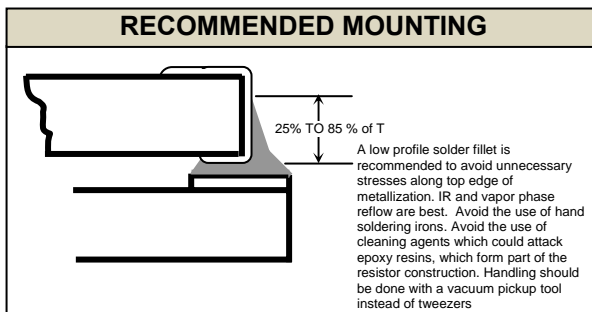
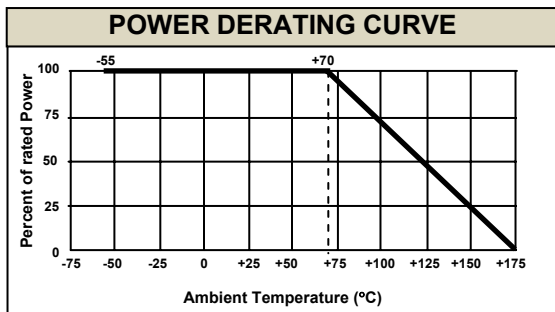
- Shelf Life Stability: 0.005%
- Low Current Noise: -40dB.
- Low Voltage Coefficient: <0.1ppm / V
- Non Inductive: <0.08μH
- Thermal EMF: < 0.05μV / °C
- Terminal Finishes Available:  
Tin / Lead Alloy: Stand;  
Lead (Pb) Free: On request



RoHS COMPLIANT



SPECIFICATIONS					
CHIP SIZE	RESISTANCE RANGE (Ω)	MAXIMUM POWER at 70 °C (W)	MAX VOLTAGE (Volts)	TYPICAL TCR AND MAXIMUM SPREAD -55°C TO 125°C	AVAILABLE TOLERANCE
0805	10R to 12K	0.200	$\leq \sqrt{W \times \Omega}$	For R ≥ 250R0 ± 0.2 ± 1.8 ppm / °C	0.01 % TO 1.0%
1206	10R to 30K	0.300			
1506	10R to 40K	0.300			
2010	10R to 100K	0.500			
2512	10R to 150K	0.750			



To order specify: Size, Resistor value, tolerance and termination type.

We can print the resistor value on the face of the resistor for easier identification. Just Ask!

DIMENSIONS AND LAND PATTERN in inches (millimeters)							
	Bottom View for mounting				Recommended Land Pattern		
	L	W	THICKNESS MAXIMUM	D	Z*** MAXIMUM	G*** MINIMUM	X*** MAXIMUM
CHIP SIZE	±0.005 (0.13)	±0.005 (0.13)		±0.005 (0.13)			
0805	0.080 (2.03)	0.050 (1.27)	0.025 (0.64)	0.015 (0.38)	0.122 (3.10)	0.028 (0.71)	0.050 (1.27)
1206	0.126 (3.20)	0.062 (1.57)	0.025 (0.64)	0.020 (0.51)	0.175 (4.45)	0.059 (1.50)	0.071 (1.80)
1506	0.150 (3.81)	0.062 (1.57)	0.025 (0.64)	0.020 (0.51)	0.199 (5.05)	0.083 (2.11)	0.071 (1.80)
2010	0.198 (5.03)	0.097 (2.46)	0.025 (0.64)	0.025 (0.64)	0.247 (6.27)	0.115 (2.92)	0.103 (2.62)
2512	0.249 (6.32)	0.127 (3.23)	0.025 (0.64)	0.032 (0.81)	0.291 (7.39)	0.150 (3.81)	0.127 (3.23)

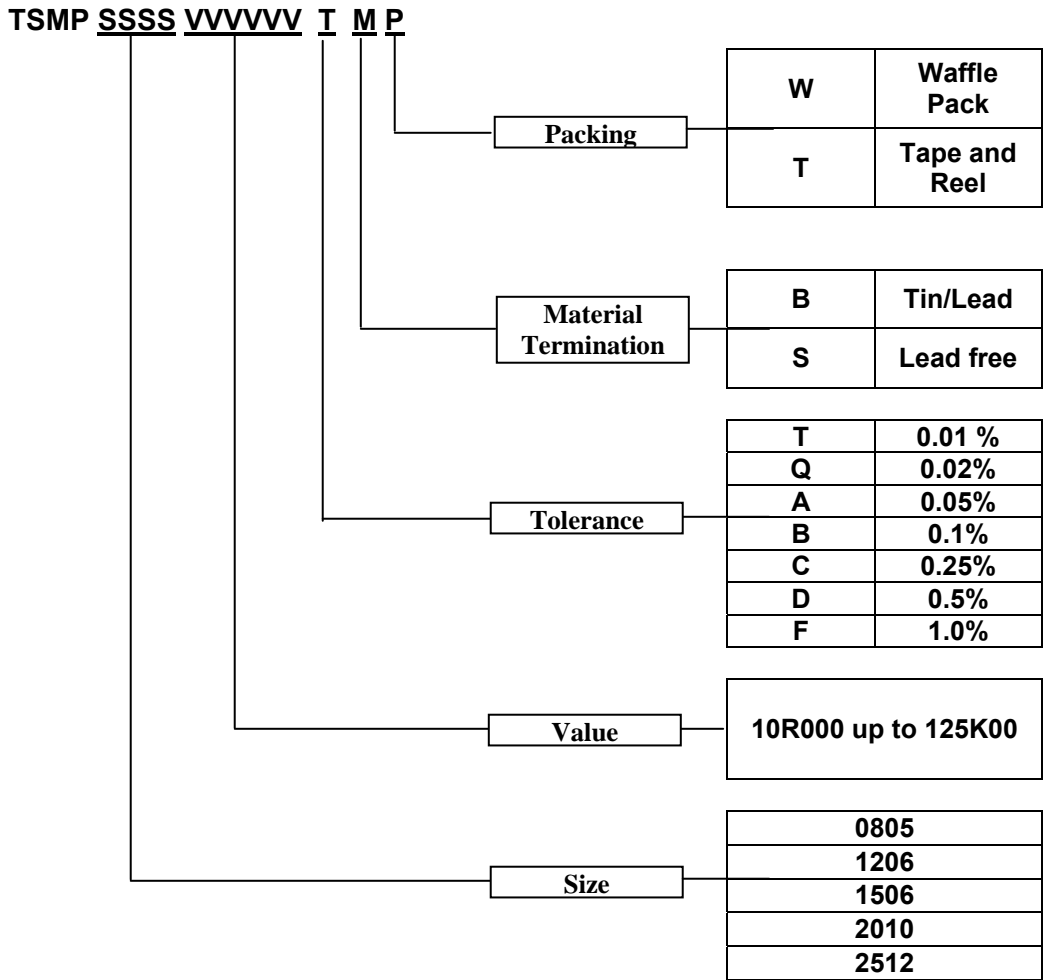
\*\*\* Land pattern Dimensions are per IPC-782



# TSMP Series

Surface Mount Resistors

## ORDERING INFORMATION



**Example:**

To order TSMP resistors, size 2010, with a resistance value of 1,002.5 ohms, tolerance 0.02%, with a lead free termination, and taped and reeled the ordering information would be:

**TSMP2010 1K0025 QST**